






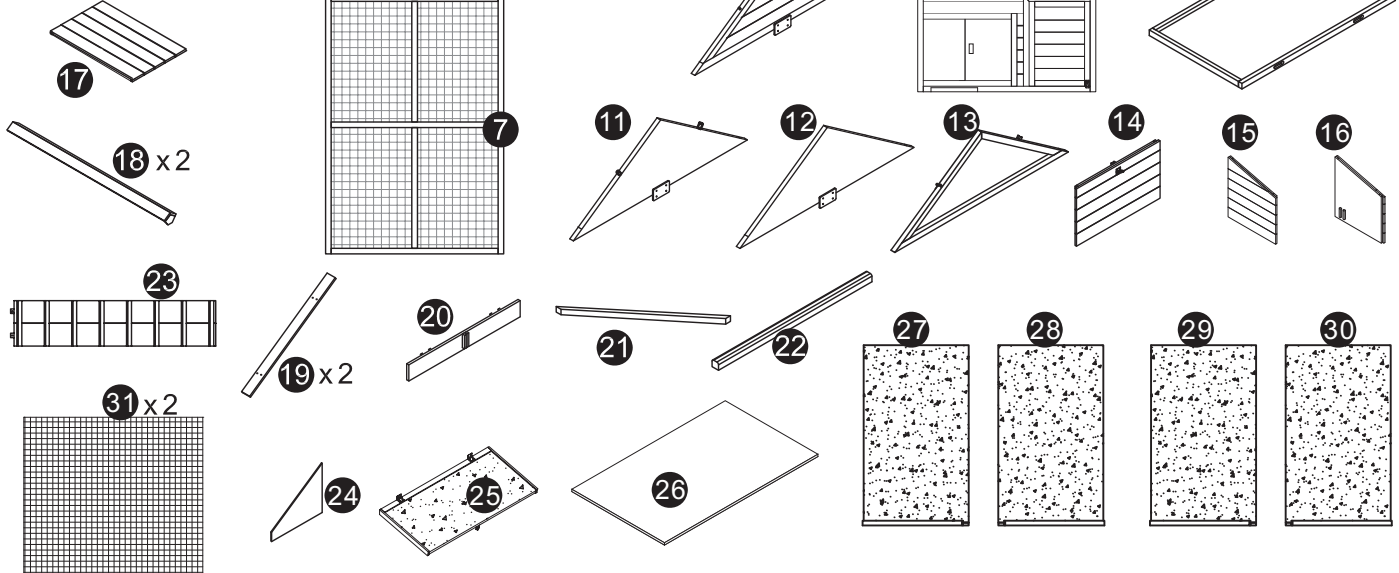
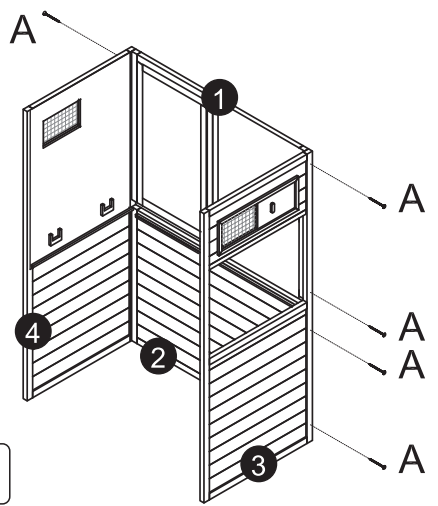


ASSEMBLY INSTRUCTIONS

- (A)  3.5x50=24x
- (B)  3.5x35=14x
- (C)  3.5x30=16x
- (D)  3.5x25=32x
- (E)  3.0x16=10x
- (F)  =5x
- (L)  =1x

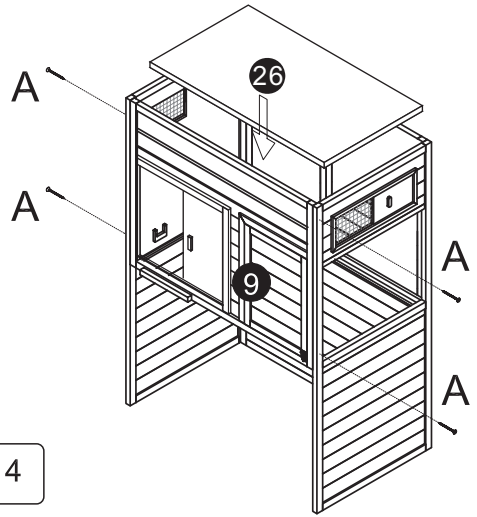



STEP 1



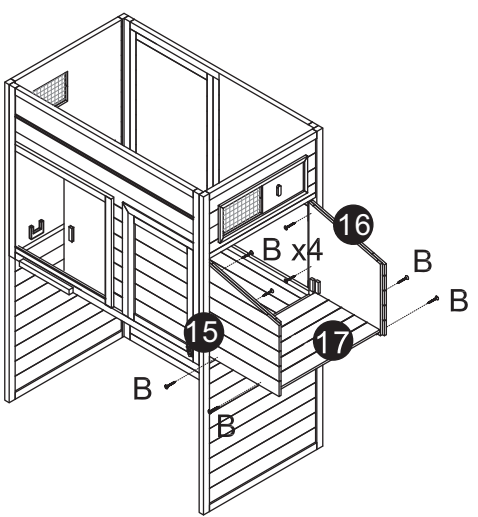
A  X 8


STEP 2



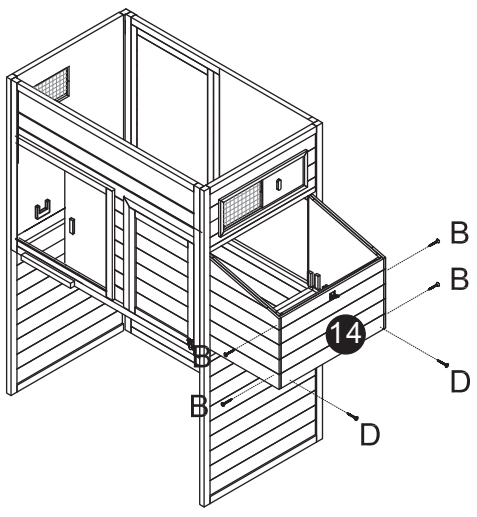
A  X 4



STEP 3



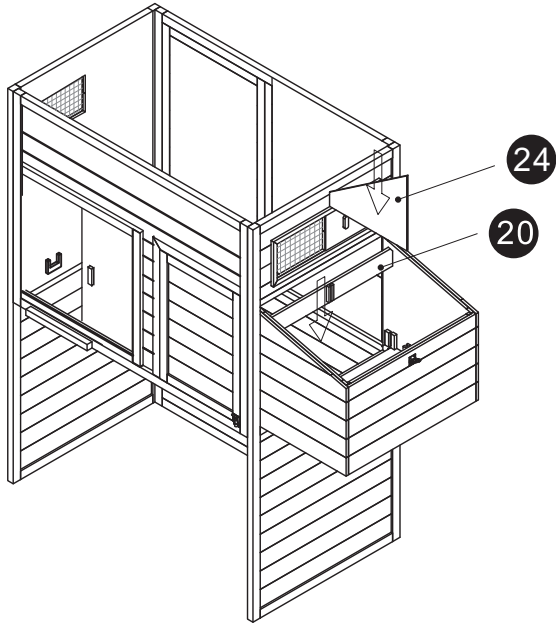
B  X 8

STEP 4

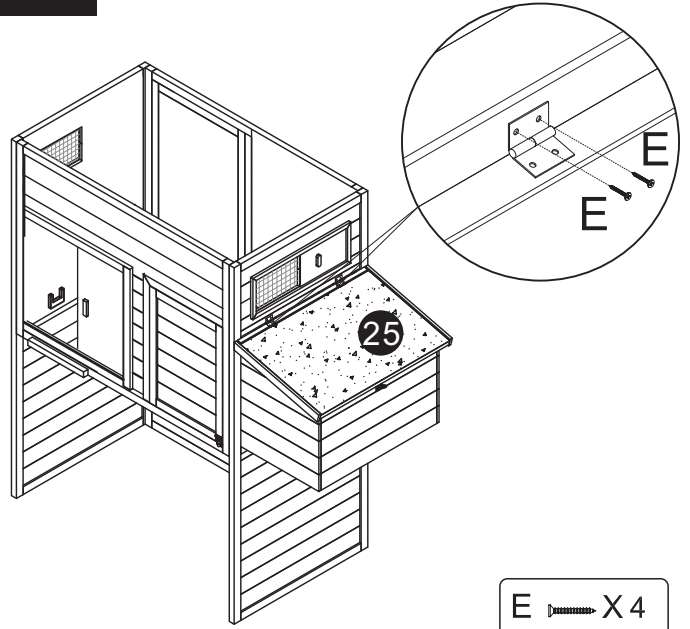


D  X 2
B  X 4

STEP 5

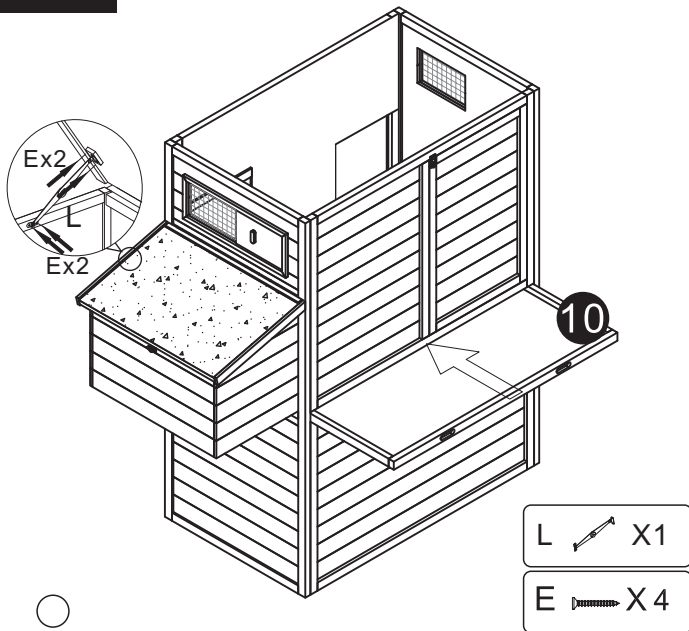


STEP 6



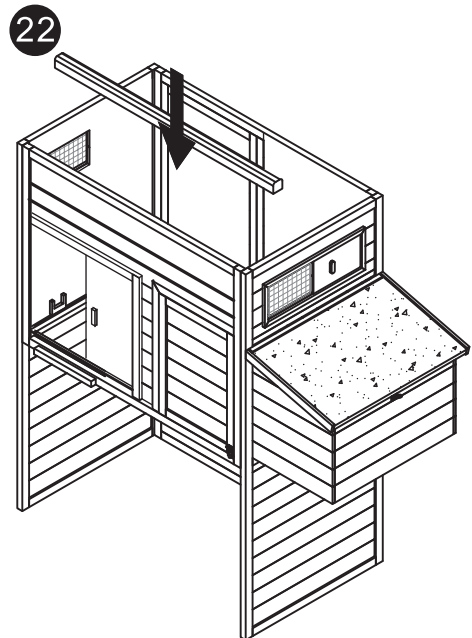
E X4

STEP 7

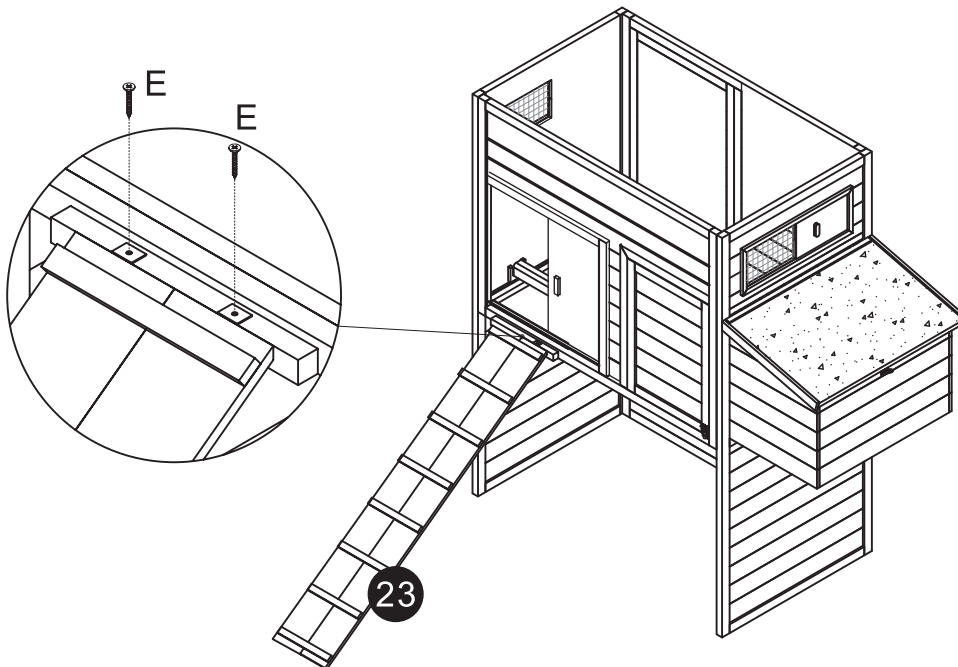


L X1
E X4

STEP 8

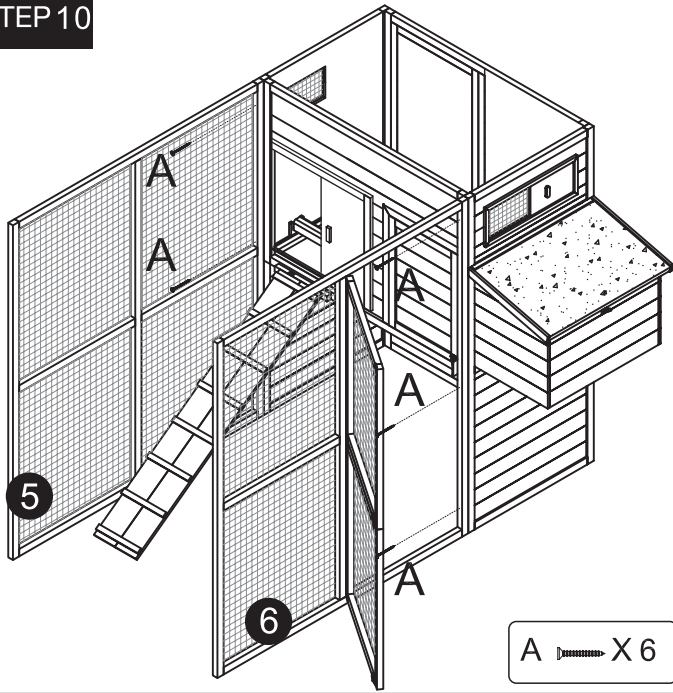


STEP 9

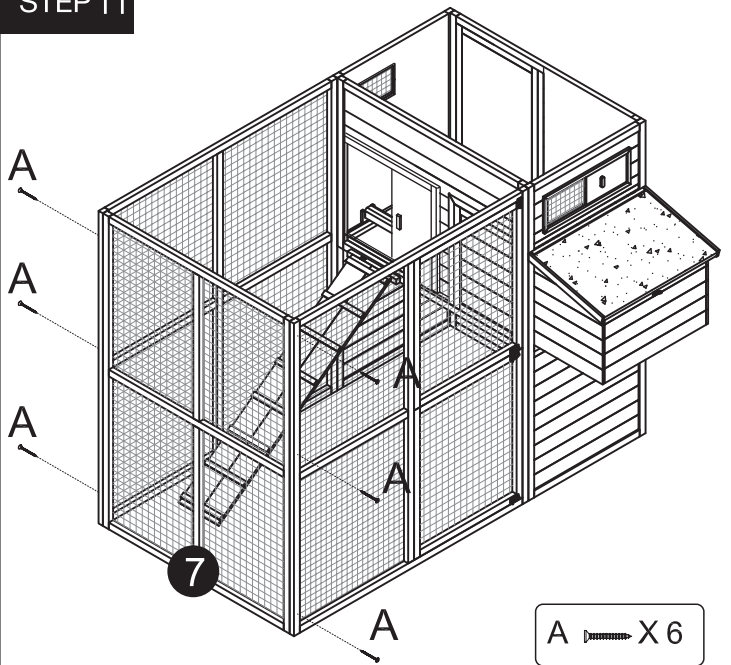


E X2

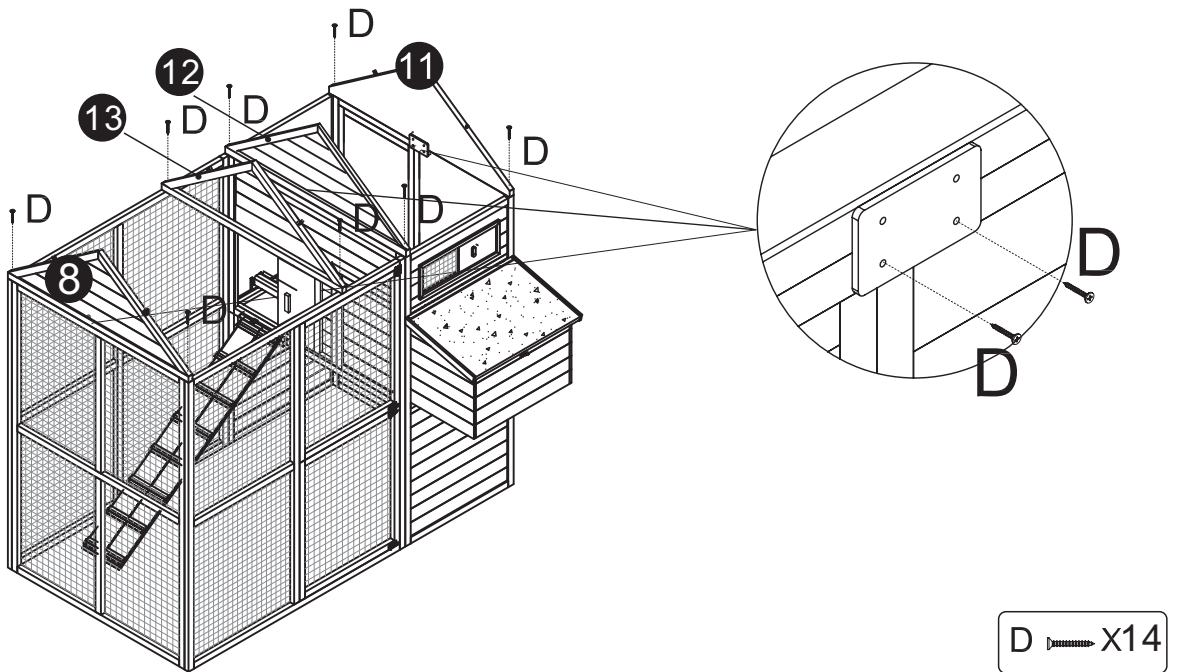
STEP 10



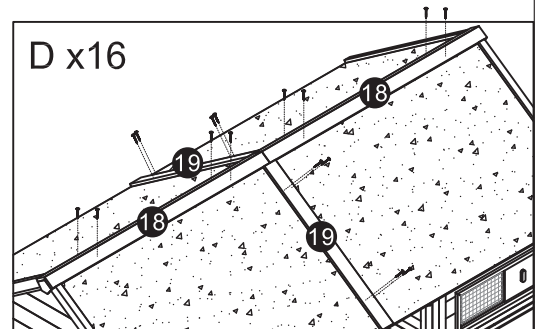
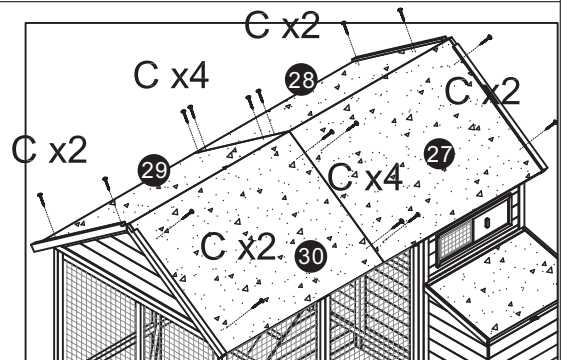
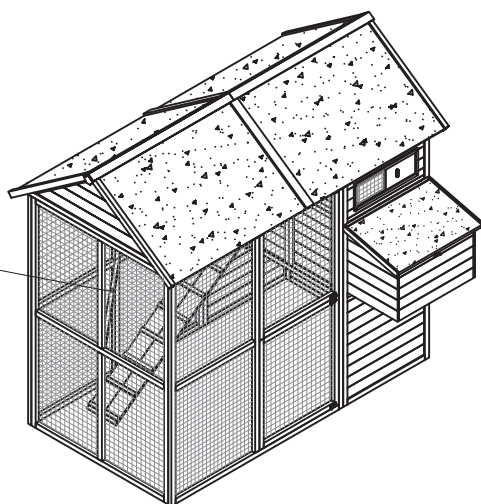
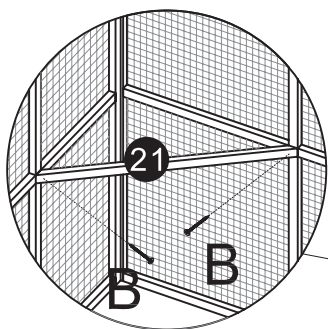
STEP 11



STEP 12

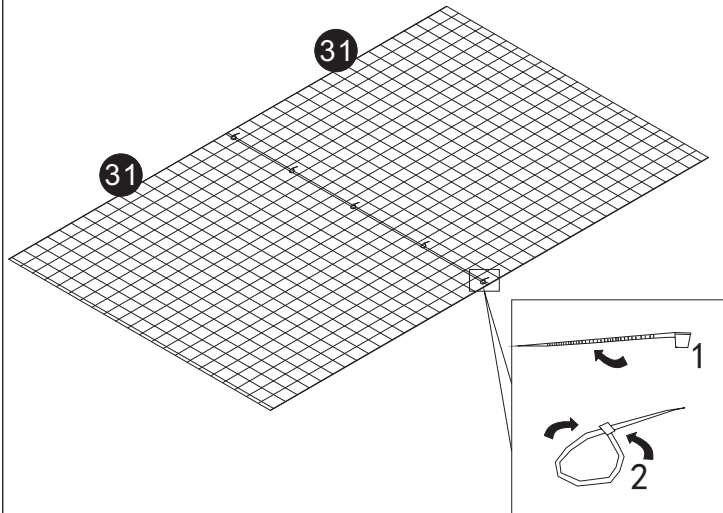


STEP 13



- D X 16
- C X 16
- B X 2

STEP 14



ⓕ — 5x

STEP 15

